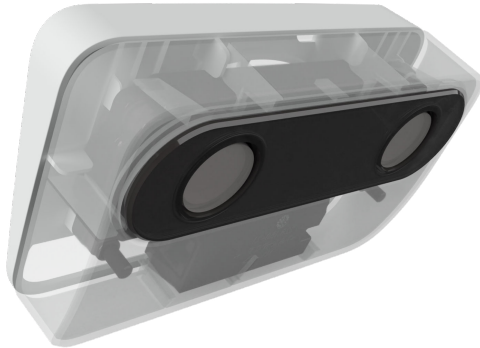


Advanced People Sensor

# Base Plate Kit APS-B 10 DEG

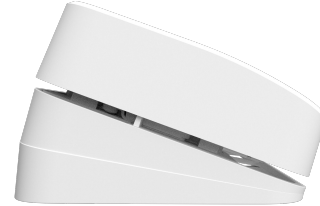
226.299-007



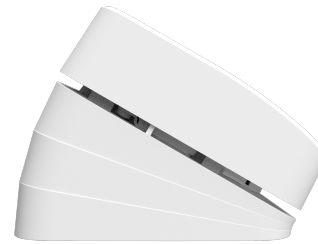
10 DEG



20 DEG



30 DEG



## BASE PLATE KIT 10 DEGREES

- Designed exclusively for APS-B surface mounting
- Easily achieve 10, 20, or 30 degrees installation angle
- Install on almost all ceiling types, however a hard, flat, and solid ceiling is recommended
- All hardware for assembly included (screws for surface mounting not included)

## EASY SETUP AND COMMISSIONING

- Install base plate(s) according to required installation angle
- Secure APS-B to base plate assembly
- Cover and protect the APS-B using the surface mounting kit

## INSTALLATION ANGLES

- Combine one, two, or three base plate kits for greater installation angles:
  - One base plate kit: 10 degree installation angle
  - Two base plate kits: 20 degree installation angle
  - Three base plate kits: 30 degree installation angle

## TECHNICAL DATA

Material	Plastic (LUPLOY EU5000FS)
Colour	White (RAL 9010)
Conformity	Vibration acc. DIN ISO 60068-2-64 Shock acc. DIN ISO 60068-2-27

## ACCESSORIES

- Surface Mounting Kit APS-B [226.169-207]

## DRAWING

